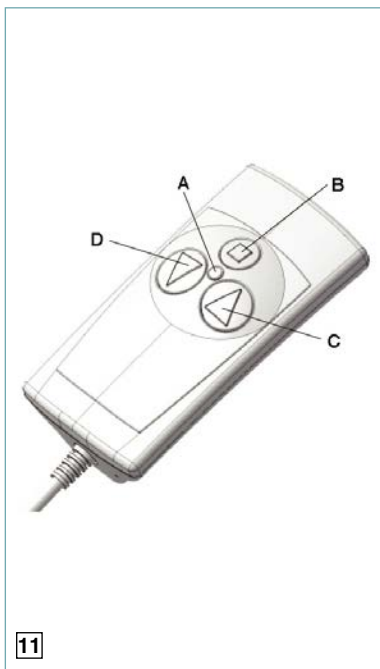
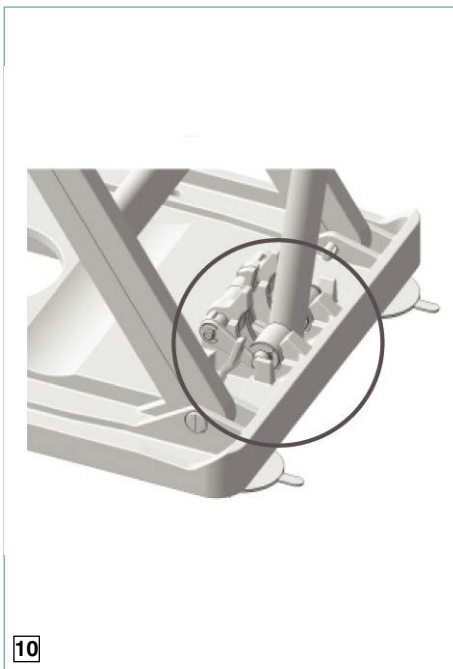
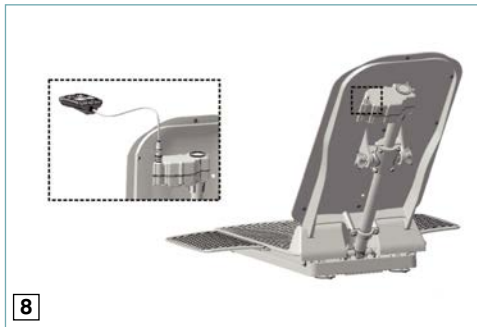
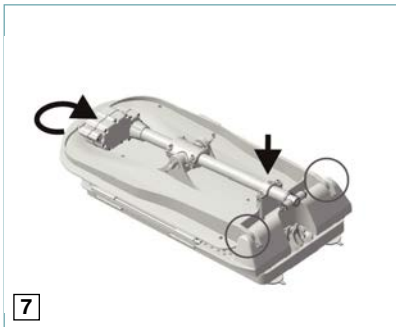
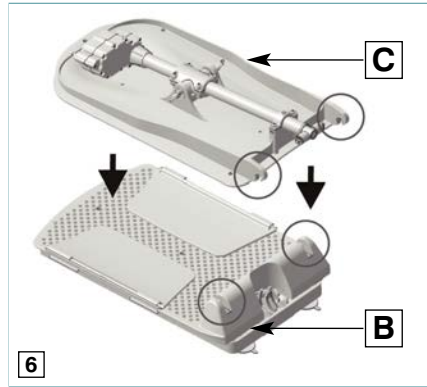
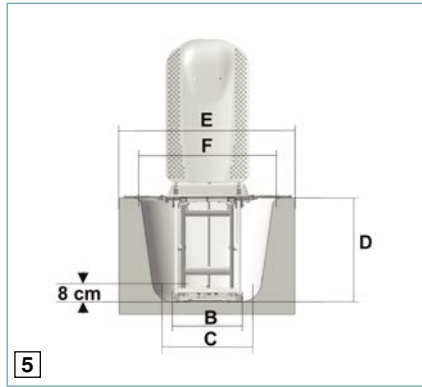
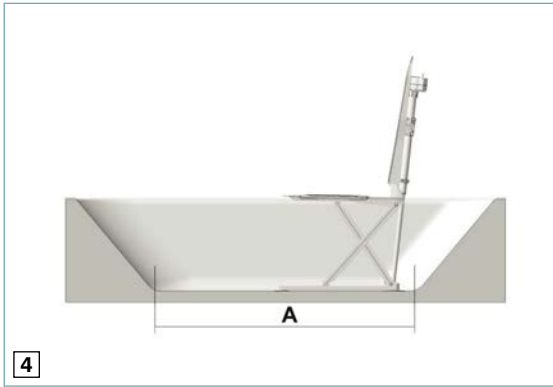
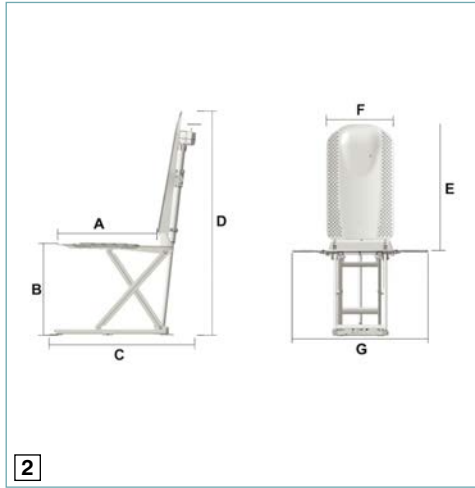
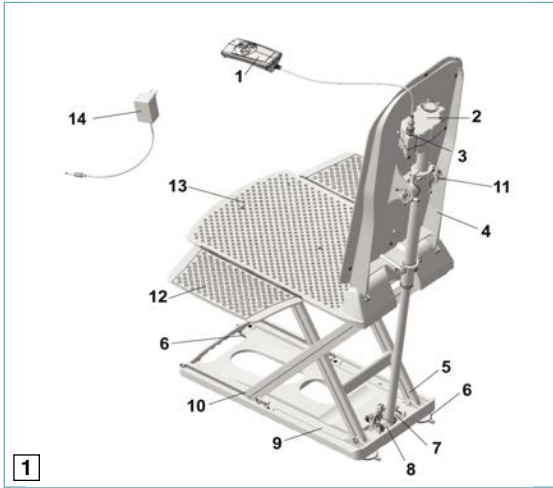


# Bathmaster deltis™

## User's Manual





Patterson Medical Ltd Product Code	Patterson Medical Inc Product Code	Product Description
09 131 6736	-	Bathmaster Deltis UK
09 132 4078	-	Bathmaster Deltis EU
09 132 4086	-	Bathmaster Deltis AU
-	<b>08 155 6463</b>	Bathmaster Deltis US
09 132 4144	-	Bathmaster Deltis with Blue Covers UK
09 132 4151	-	Bathmaster Deltis with Blue Covers EU
09 132 4169	-	Bathmaster Deltis with Blue Covers AU
-	<b>08 156 4590</b>	Bathmaster Deltis with Blue Covers US
09 132 4185	-	Bathmaster Deltis with White Covers UK
09 132 4193	-	Bathmaster Deltis with White Covers EU
09 132 4201	-	Bathmaster Deltis with White Covers AU
09 132 4227	-	Bathmaster Deltis Premium Including Covers UK
09 132 4235	-	Bathmaster Deltis Premium Including Covers EU
09 132 4243	-	Bathmaster Deltis Premium Including Covers AU
09 132 4102	-	Bathmaster Deltis XL Including Covers UK
09 132 4110	-	Bathmaster Deltis XL Including Covers EU
09 132 4128	-	Bathmaster Deltis XL Including Covers AU
-	<b>08 156 4061</b>	Bathmaster Deltis XL Including Covers US
09 132 4557	-	White Covers
09 132 4565	<b>08 156 0325</b>	Blue Covers
09 132 4532	<b>08 156 0333</b>	Swivel Seat
09 132 4540	<b>08 156 3666</b>	Swivel Transfer Seat
09 132 5018	-	Handcontroller
09 143 4695	<b>08 156 0358</b>	Premium Handcontroller
09 132 5034	-	Recharger UK
09 132 5026	-	Recharger EU
09 132 5042	-	Recharger AUS
-	<b>08 156 0341</b>	Recharger US
09 132 8350	-	Sucker Feet (Pack of 4)
09 132 8376	-	Spare Actuator

## Introduction

The Bathmaster Deltis is a patient bathing device intended to assist a bather into and out of the bath. Designed to make the pleasure of taking a bath safer and easier, for both user and carer, the Bathmaster Deltis is a fully battery powered, self-contained bath seat which requires no plumbing or electrical installation and is suitable for use in either domestic or institutional situations.

The bath lift folds compactly, and separates into two parts, enabling it to be carried, transported and stored easily.

The Bathmaster Deltis is easily positioned in any standard bath (Note: There are a few extremely narrow or contoured designs of bath in which a powered bath seat is not suitable – full details of compatible bath sizes can be found in the Technical Specifications section of these instructions). The frame stands on four suction feet that may be rotated to suit the curved floor of the bath. Integral 'pull-up' tabs on the suction feet, plus a rear release system, enable the Bathmaster Deltis to be easily removed from the bath. Replacement components and accessories are available.

In this instruction manual you will find information and instructions on the safe and correct use of your bath lift. Keep all documents in a safe place.

## Components

The Bathmaster Deltis includes the following components:

- White plastic lower seat section with side transfer flaps and four suction feet
- White plastic backrest with motor and cable
- Two side flap protectors
- Hand controller containing battery pack with LED low-battery warning light and audible bleep
- Battery recharger with country specific lead and plug
- User instructions

If any of the above components are missing or damaged, do not use the Bathmaster Deltis and contact your distributor or Patterson Medical.

Optional accessories are available for those requiring increased comfort or functionality.

## Do the following

- **Before using the Bathmaster Deltis for the first time, read these instructions and familiarise yourself with the product and the lifting techniques. Become familiar with the operation of the unit before using it to lower or raise a person.**
- Retain these instructions for future reference and keep them where people using the bath lift can have access to them.
- Ensure the suitability of the unit to lift the individual is assessed. Judging the suitability of any patient lifting device is the responsibility of the healthcare professional or the care giver. Some circumstances that must be considered include the following: size and weight of the individual; his or her upper body strength, balance, co-ordination, cognition and hip flexibility; their potential to spasm.
- Only use the bath lift in baths which comply with the specifications outlined in the Technical Specifications section of these instructions.
- Inspect the unit before each use to be sure it is free from damage and excessive wear. Bi-annual inspections by trained technicians are strongly recommended (see Maintaining the Unit).
- Ensure both the bath surface and suction feet are clean, dry and free from soap and bath oil residue before fitting the Bathmaster Deltis into the bath.
- If using bath oils or bath salts, do not use a strong solution. A high concentration may impair the slide function of the lifting scissors.
- Whilst using the bath lift the user should remain calmly seated. Excessive movement should be avoided.
- **Use the Bathmaster Deltis only with accessories, hand controllers, and rechargers that are supplied by Patterson Medical.**
- When the Bathmaster Deltis is being used by a disabled person unaided, please ensure that an alarm system or telephone is available that could be used in the event of difficulty or emergency.

## Do not do the following

- **Do not** exceed the maximum lifting capacity of the unit - Deltis: 140kg (22stone, 308lbs), Deltis XL: 170kg (26stone, 375lbs).
- **Do not** use the Bathmaster Deltis as a support to help you stand or steady yourself.
- **Do not** use the unit on an incline greater than 5°.
- **Do not** operate the hand controller whilst the unit is disassembled.
- **Do not** use the Bathmaster Deltis if metal parts of the connectors or cables are exposed.
- **Do not** use the Bathmaster Deltis for other uses than which it is designed and detailed in these instructions.
- **Do not** allow children to play with the Bathmaster Deltis, its parts or accessories.
- During assembly, use or cleaning, be careful not to put your fingers between any moving parts, especially around the backrest.
- **Do not** modify or reconstruct the device.
- Objects (such as hairbrushes etc.) which are taken into the bath must not be allowed near the area of the lifting scissors.
- **Do not** store the hand controller near heat sources.

## Charging the battery

The Bathmaster Deltis is operated using a rechargeable, battery powered, hand controller. Each hand controller is completely waterproof to a depth of 1m. The batteries are charged using low voltage rechargers, designed for the appropriate countries' electricity supply.

The Deltis is powered by a rechargeable Lithium-Ion battery pack fitted inside the hand controller. A new hand controller comes fully charged and does not need to be charged before the first use. Optimum battery capacity will be reached following a few charging cycles. **Charging the battery should be done away from the bathroom and other sources of water.** The light on the battery pack illuminates when the charge is low.

We recommend that you charge your hand controller after every use.

If the light is permanently lit, enough power remains for one complete lift only. The unit will not lower into the bath. **Do not use the unit after the low-battery light on the hand controller has permanently illuminated. Recharge it before use.**

The hand controller is designed so that it cannot be charged at the same time as being connected to the Bathmaster Deltis.

The hand controller should be removed from the Bathmaster Deltis, if the unit is not going to be used for some time. All battery packs are sealed units and batteries are non-replaceable.

The chargers are not designed for use with non-rechargeable batteries.

Ensure that the connector (see Fig.3) on the hand controller is completely dry before plugging it into the recharger or the bath lift.

Inspect the charger and the power cord before each use to ensure they are free from damage.

Do not open the handset as this will void the warranty.

### Recharging the hand controller (see Fig.3)

To charge the battery, use the following procedure:

1. Disconnect the cable of the hand controller from the unit.
2. Ensure that the connector is dry.
3. Connect the jack plug on the cable of the hand controller with the socket on the cable of the charger unit.
4. Connect the charger to a suitable mains socket. Charging is in progress when the light on the hand controller is on.
5. Charge the hand controller until the red light on the hand controller turns off. Then disconnect the hand controller by reversing the sequence.

## Preparing the unit for use

Before setting up, check parts for any damage in transit and that no parts are missing.

### Fitting the suction feet

- The suction pads must be free from dirt or grease.
- Take care to correctly orientate the straps on the suction pads (straps turned outwards)
- Screw the front suction pads and rear suction pads (see Fig. 1, component 6) with the threaded end into the threaded holes on the underside of the base plate.

### Fitting Side Flap Protectors (see Fig. 12)

If the bath tub has handles then side flap protectors may be needed.

- Side flap protectors enable the side flaps to move smoothly up and down without catching beneath the handles on the bath. Clip the protectors into place on the handles with the short edges towards the outside of the bath.
- When fitted correctly, they should rest at the bottom of the edge of the bath. If necessary they may be trimmed to length. Sharp edges of the trimmed end can be removed with abrasive paper or a file.

### Installing the bath lift

- Before use, ensure there are no obstructions or projections within the bath that may prevent the frame from standing securely and squarely on its suction feet, also that it can be raised and lowered freely without catching under or on, any part of the bath surface, the taps and adjacent fittings.
- Only set up the bath lift in baths which comply with the specifications found in the Technical Specifications section of these instructions.
- You will need to lift the Bathmaster Deltis and place it into the bath. If you feel you may have difficulty or are unsure how to lift correctly, please ask

somebody for help.

- Take particular care to avoid back injury when lifting the unit into and out of the bath, by following safe moving and handling procedures and by separating the Bathmaster Deltis into its individual parts.
- Make sure the bathroom floor is dry and free from obstructions to minimise the risk of stumbling, falling and dropping the frame.

#### Placing the seat unit into the bath

1. Ensure that all four suction feet are fitted securely into the frame of the Bathmaster Deltis before lowering it into the bath.
2. Position the seat unit close to the bath to minimise the carrying distance and the eventual lift into the bath.
3. Lift the seat unit into the bath and position it at the opposite end to the tap fixtures. Ensure the backrest hinges are towards the rear and allow room for the back of the unit to recline.
4. Ensure all four feet are in contact with the bath surface and are not resting on a bath mat or similar item. Push them securely onto the bottom of the bath.

#### Fitting the backrest to the seat unit (see Fig. 7)

1. Lay the backrest (without hand controller), face down, against the seat unit so that the hooks on the back rest engage with the catches in the seat unit.
2. Press the back rest lightly at the rear end so that both hooks latch audibly and visibly into the catches.
3. Check the drive mechanism is fully retracted into the column (as shown in Fig. 9). If not, this can be rectified by connecting the hand controller (see below) and pressing the down button.
4. Lift the front of the backrest and rotate until it is in the recline position.
5. Ensure that the back rest is securely attached to the seat unit and the actuator drive is located within the drive foot retainer before operating the unit.
6. Ensure that once the backrest is upright, it does not touch the rim of the bath.
7. After assembling the back rest flip up the side flaps ensuring that they will not catch under any handles fitted to the bath as the seat rises. If so, side protectors must be used.

#### Connecting the hand controller

1. Ensure that the connector on the hand controller is completely dry before plugging it into the bath lift.
2. Attach the jack plug on the cable of the hand controller to the socket on the actuator so that it is fully located (see Fig. 8).
3. Ensure that connectors are fully mated before the bath lift is used.
4. Position the hand controller at the side of the bath ensuring that the cable runs clear of the seat and the connector will not become disconnected as a result of the movement of the seat.
5. Operation and safety of the unit are not affected if the hand controller or connector falls into the water during use.

The bath lift is now ready for use.

### Using the unit whilst bathing

- Ensure the Bathmaster Deltis is in an upright position and is stable and secure before every use.
- Check the warning light does not illuminate when the hand controller is used. If necessary, recharge the battery prior to use.
- Ensure that the unit is tested first before being used by the bather.
- Check that the unit is able to move up and down and recline without obstructions by using the hand controller to raise and lower the unit.
- Ensure the water temperature is neither too hot nor too cold.

#### Controlling the bath lift

Control of the bath lift is achieved exclusively by the hand controller (see Fig. 11).

- Press pad (C) to raise the unit and (D) to lower.
- The control pads have textured arrows, to assist the visually impaired.
- When the down pad (D) is depressed and the light (A) turns red, the rechargeable battery in the hand control is not sufficiently charged. The bath lift will not lower and will only raise. Once the lift is in the raised position, the battery in the hand controller must be charged immediately.
- The bath lift can be stopped and used in any position.
- At any time during the descent or ascent, the lifting mechanism can be stopped by releasing pressure on the switch pad and travel started in the opposite direction by depressing the other pad.
- When using the down pad (D) the bath lift travels downwards and then moves the backrest backwards to a maximum of 40°.
- Whilst using the up pad (C) the lowered backrest moves into the upright position and then the bath lift travels upwards.

#### Emergency Stop (see Fig. 11)

- Only press the "Emergency Stop" pad (B) when the bath lift does not stop immediately after releasing the up or down pads (C or D).
- By pressing the "Emergency Stop" pad, all movements of the bath lift will stop immediately.

- If, during descent, the "Emergency Stop" pad is depressed, the down pad is blocked for approximately 15 seconds for safety purposes and the bath lift can only be operated with the up pad to travel upwards.

Hands should be kept clear of the bath sides, bath floor and the sides of the seat when descending or ascending. Legs and feet should not be tucked under the seat. Ensure the bather's feet are situated beyond the front legs of the frame.

When sitting on the seat of the Bathmaster Deltis do not push against the bath, such that the front of the bath lift is raised off the floor of the bath, as this will make the bath lift unstable.

Once the Bathmaster Deltis is positioned correctly in the bath, it can be used as follows:

Ensure the unit is tested first before being used by the bather.

1. Lift the seat unit with the up button on the hand controller (see Fig. 11) so that the side flaps are level with and resting evenly on the rim of the bath (see Fig. 4 & 5).
  2. Run the bath water in and check the water temperature.
  3. Stand with your back to the bath and sit down on the outer side flap with the seat directly behind you.
  4. Slide back until your buttocks are central on the seat.
  5. Swing round, raising each leg over the edge of the bath.
  6. Once you are comfortably seated, using the hand controller, lower the lift into the bath with the down pad on the hand control (D), keeping the hands and feet away from the underneath of the seat.
  7. The unit will stop at the lowest point of travel. To recline the backrest (to a maximum angle of 40°) release the down pad and press again.
  8. When you are in the desired recline position simply release pressure on the pad.
- When bathing is complete, alight from the bath by following steps 9 to 12 below:
9. Use the hand controller to raise the seat to a height where the side flaps lie evenly on the bath rim (see Fig. 4 & 5), ensuring the flaps, and the users hands, do not become caught under any handles fitted into the bath.
  10. Swing round, raising each leg over the edge of the bath.
  11. Slide forwards until your buttocks are on the outer side flap with the seat directly behind you.
  12. Stand up with your back to the bath.

Where possible, it is preferable that the hand controller is operated by the bather rather than an assistant, so they have complete control and can stop movement in case of discomfort. The seat will only move whilst the controller buttons are pressed down.

### Removing the unit from the bath

Disconnect the hand controller from the lifting mechanism by removing the jack plug from the socket on the drive (see Fig. 8).

Recharge the hand controller if necessary (See Charging the Battery).

The Bathmaster Deltis may be stored in the bath if convenient. However, should you wish to remove it, follow the procedure below:

1. Check the bathroom floor is dry and free from obstructions to minimise the risk of stumbling, falling or dropping the frame.
2. Allow any water to drain from the bath.
3. Using the down pad lower the bath lift, until the back rest stops in the lowered position (see Fig. 8).
4. Fold the side flaps onto the seat (see Fig. 6).
5. Pull the back rest at the upper end forwards until it rests on the folded up side flaps on the seat unit (see Fig. 7).
6. Give the back rest a small tug at the lower end so that both hooks unlatch and lift the backrest away from the seat and remove from the bath.
7. Hold on to the base plate (Fig. 1, component 9) at the grab handle by the front suction pads and pull up the suction pads by lifting the tabs. Release the rear and the front suction pairs at the same time.
8. Raise the seat unit by the grab handle gently and release the rear suction pads by lifting the tabs enabling the seat unit to be removed from the bath.

#### Important

Do not hold by the drive foot retainer (Fig. 1, component 8) (BE CAREFUL OF THE SEAT LOCKING ARRANGEMENT)

9. Take particular care to avoid back injury when removing the Bathmaster Deltis from the bath. Follow safe moving and handling procedures. Seek help if you are unsure about installing or removing the bathlift safely yourself.

#### Important

All components of the bath lift must be safely put away and stored.

## Care and cleaning

### Seat unit and back rest

- After bathing rinse the bath lift (without covers) with warm water. If the bath lift is heavily soiled, wash it down with commercially available cleansing detergents and brushes.
- Remove the seat and backrest covers.
- Dry the product with a cloth.
- Use a mild disinfectant if required.
- Never clean the drive or hand controller with a high pressure washer.
- Whilst cleaning the seat unit be careful of the mobile lifting scissors.
- Do not use strong solutions of disinfectant.
- Ensure that the bath lift is completely dry before storing it.
- We recommend cleaning the Bathmaster Deltis thoroughly when changing location or patient.

### Hand controller and battery charger

- Please read the hand controller instructions.
- Prior to cleaning, the charger must be removed from the power supply plug.
- Never dip the charger into water, spray wash or wash with water.
- Clean the charger with a cloth.
- Clean the hand controller with a damp cloth and then dry off.
- Ensure that the bath lift is completely dry before storing it.

### Seat and backrest covers

- Once removed from the main unit, the seat and backrest covers can be washed at 40°C (max) in the washing machine.
- Do not dry the covers in a tumble dryer.

## Technical specifications (See Fig. 2)

Total weight without hand control: Deltis   Deltis XL	10.5kg   11.1kg
Weight of seat unit: Deltis   Deltis XL	6.8kg   7.4kg
Weight of back rest	3.7kg
Weight of hand controller	0.4kg
Seat depth (A):	500mm
Max seat depth (B):	455mm
Min seat height:	65mm
Total depth (back rest upright) (C):	690mm
Total depth (back rest lowered) (C):	900mm
Total height (D):	1105mm
Height of back rest (E):	680mm
Width of back rest (F):	350mm
Width of seat with side flaps (G):	710mm
Width of seat without side flaps:	375mm
Footprint of the base plate:	530 x 220mm
Backrest reclines to:	40°
Load capacity: Deltis   Deltis XL	140kg   170kg
Actuator degree of protection against water ingress:	IP66
Hand controller degree of protection against water ingress:	IP67
Power on time:	10%/2 min - 90%/18 min
Supply voltage:	14.8V
Operating voltage:	5A
Rechargeable Battery:	Li-ion
Charge time when low voltage indicated:	1h
Decibel Level:	From/To 49db(A)/47db(A)
Charger:	
Input:	230 - 240V AC/50Hz 120V AC/60Hz
Output:	20V DC/120mA/10VA 20V DC/500mA/10VA

### Specifications for baths / bath lifts (See Fig. 4 & 5)

Descriptions	Dimensions
A Bath underside length	>800mm
B Bath underside width (distance between suction cups)	280 – 610mm
C Bath width at 8 cm height (base plate)	> 420mm
D Height of bath (With height adapter max. 2 cm (accessories))	<455mm (475mm)
E Upper bath width (external)	<710mm
F Upper bath width (internal)	<630mm

## Warranty

Patterson Medical Ltd warrants that the Bathmaster Deltis Bath Lift is free from defects in material and workmanship. This warranty shall remain in effect for three years from the date of original consumer purchase.

In the event that the unit needs inspection or repair, contact Patterson Medical Ltd, the distributor or an approved agent.

This warranty does not cover the following:

- Replacement parts or labour furnished by anyone other than Patterson Medical Ltd, the distributor or an approved agent.
- Any failure of the unit during the warranty period if the failure is not caused by defect in material or workmanship or if the failure is caused by unreasonable use.

Patterson Medical Ltd is not liable for incidental or consequential injury or damage to property.

Should it be necessary to return the Bathmaster Deltis, it is essential it is adequately packed to protect it in transit, preferably in its own purpose made original box, otherwise Patterson Medical Ltd cannot accept any responsibility for transit damage to the unit.

Any attempt at repair or maintenance by persons other than Patterson Medical Ltd trained or approved personnel will void this warranty.

## Maintaining the Unit

The rechargeable battery in the hand control is not interchangeable and may only be opened by the manufacturer.

The Bathmaster Deltis should be inspected before each use to ensure it is free from damage and excess wear. The Bathmaster Deltis is built to give long, reliable use, without need for servicing. Whilst being robust, the lift should be treated with care and in particular should not be dropped. If damage or deterioration is suspected, please contact Patterson Medical Ltd or the distributor, for repair by an approved agent.

For professionals issuing the Bathmaster Deltis, Patterson Medical Ltd recommend that it receives bi-annual inspections in line with requirements of the Lifting Operations and Lifting Equipment Regulations 1998 (LOLER). Inspections should only be carried out by trained and experienced personnel.

We recommend giving the product a thorough inspection when changing location or patient.

## Replacement components and accessories

	Worldwide ex US	US only
White Seat Covers	09 132 4557	
Blue Seat Covers	09 132 4565	08 156 0325
Blue Antimicrobial Covers	09 143 4737	
Handcontroller	09 143 4695	08 156 0358
Fast Battery Charger		
UK/Ireland	09 143 4703	
Europe	09 143 4711	
Australia/New Zealand	09 143 4729	
United States		08 156 0341
Replacement sucker feet (Pack of 4)	09 132 8350	
Spare Actuator	09 132 8376	
Spare XL Actuator	09 143 7516	
Swivel Seat	09 132 4532	08 156 0333
Swivel Transfer Seat	09 132 4540	08 156 0366

## Recycling

Bathlift, hand controllers and recharger must be disposed of correctly, if in doubt contact your local refuse site.

The bath seat is made from plastic; Hand controller contains electronic components and Lithium Ion batteries; Actuator and recharger contain electronic components; please separate and dispose of correctly.

## Troubleshooting Guide

Problem	Possible causes	Remedy
Lift does not move	Connection between hand controller and actuator is poor	Check connection (see Fig 8)
	Battery is flat	See charging battery instructions
	Actuator failure	Repair by authorized service centre
	Faulty spiral cable	Replace hand controller
Lift only travels upwards	Battery is flat	See charging battery instructions
Red light on hand controller is flashing	Connection between hand controller and actuator is poor	Check connection (see Fig 8)
Red light on hand controller lights up	Battery is flat	See charging battery instructions
Battery will not charge	Faulty electronics	Check / Repair by authorized service centre
	Faulty battery	Check / Repair by authorized service centre
	Faulty power supply	Check / Repair by authorized service centre

---

## Notes

---

## Icons on packaging and labelling

### Bathlift labelling & Packaging



Maximum User Weight.  
Deltis



Deltis XL



Type B electrical insulation.



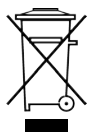
Consult the user manual.



Manufactured during (date).



Meets applicable European standards.



Dispose of battery and motor correctly - contains electronic components.



Total Product Weight.  
Deltis



Deltis XL

### Hand Controller



Raise the seat.



Lower the seat.



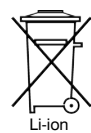
Emergency stop.



Warning read manual.



Meets applicable Canadian standards.



Recycle battery contains Lithium-ion.



Leave min 25mm gap when fully reclined



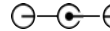
### Hi-power Pack



Contains dangerous voltages. Do not remove the cover.



Double Insulated.



Electrical wiring.



Direct Current.



+40° Max. & min. battery operating temperature.



Recycle battery contains Lithium-ion.

Please retain these instructions for future reference.

For enquiries, telephone:

**UK:** 08444 124 330 **International:** +44 (0)1623 448 706

Patterson Medical Ltd, Nunn Brook Road, Huthwaite, Nottinghamshire, NG17 2HU, UK.

Telephone: 08444 124 330 Facsimile: 08448 730 100 [www.pattersonmedical.co.uk](http://www.pattersonmedical.co.uk)

**Patterson Medical Products, Inc.** 28100 Torch Parkway Suite 700, Warrenville, IL 60555-3938, USA.

Telephone: 1-800-323-5547 Telefax: 1-800-547-4333

**PATTERSON**  
MEDICAL